



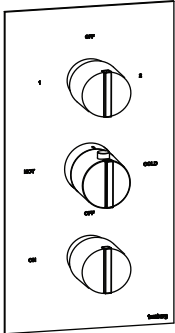
145.4501 | Three Output 3/4" Thermostatic Valve & Trim

SPECIFICATIONS:

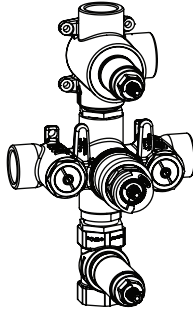
- Turn middle knob to control temperature.
- Turn top knob to divert water flow between two top outlets.
- Turn bottom knob to control water flow of bottom outlet.
- Thermostatic Valve Flow Rate - 13.0 GPM @ 60 PSI
- Extension Available - TVH.4401E\*\*

FAST SHIP FINISHES :

- Chrome - 145.4501CP



Trim  
[ 145.4501T\*\* ]



Valve  
[ TVH.4501 ]

Belgian Mirror Finish



Legislation Compliance



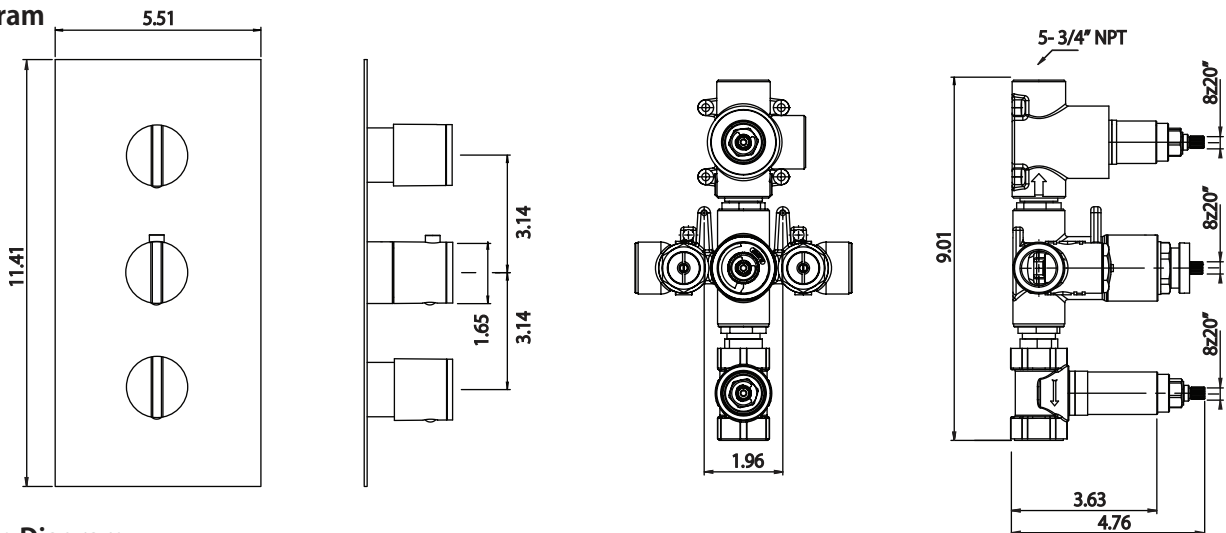
ZeroDrip Technology



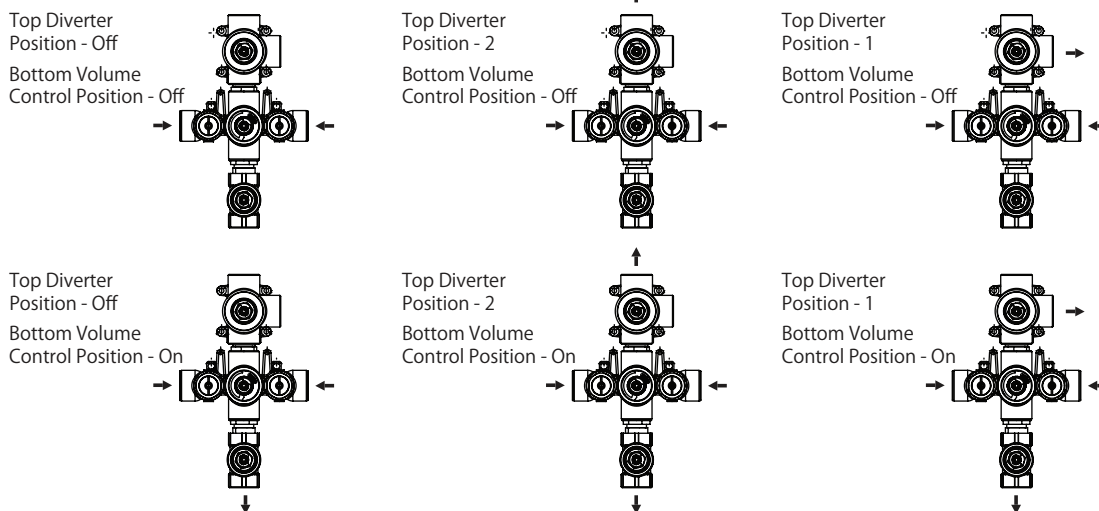
**!**  
A separate volume control is **not** needed to turn water supply off. Volume control functionality is integrated within this valve.

See Spec Sheet For TVH.4501 For Detailed Information On Valve.

Technical Diagram



Water Diversion Diagram



TVH.4501 | Three Output 3/4" Thermostatic Valve Page 1 of 2



SPECIFICATIONS:

- Turn middle knob to control temperature.
- Turn top knob to divert water flow between outlets 1 & 2.
- Turn bottom knob to control water flow of outlet 3.
- Thermostatic Valve Flow Rate - 13.0 GPM @ 60 PSI

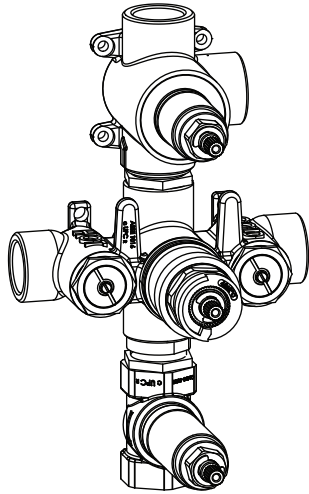
STANDARDS:

- ASME A112.18.1 / CSA B125.1

WARRANTY:

- Limited lifetime warranty to the original consumer purchaser against finish and workmanship

**!** A separate volume control is **not** needed to turn water supply off. Volume control functionality is integrated within this valve.



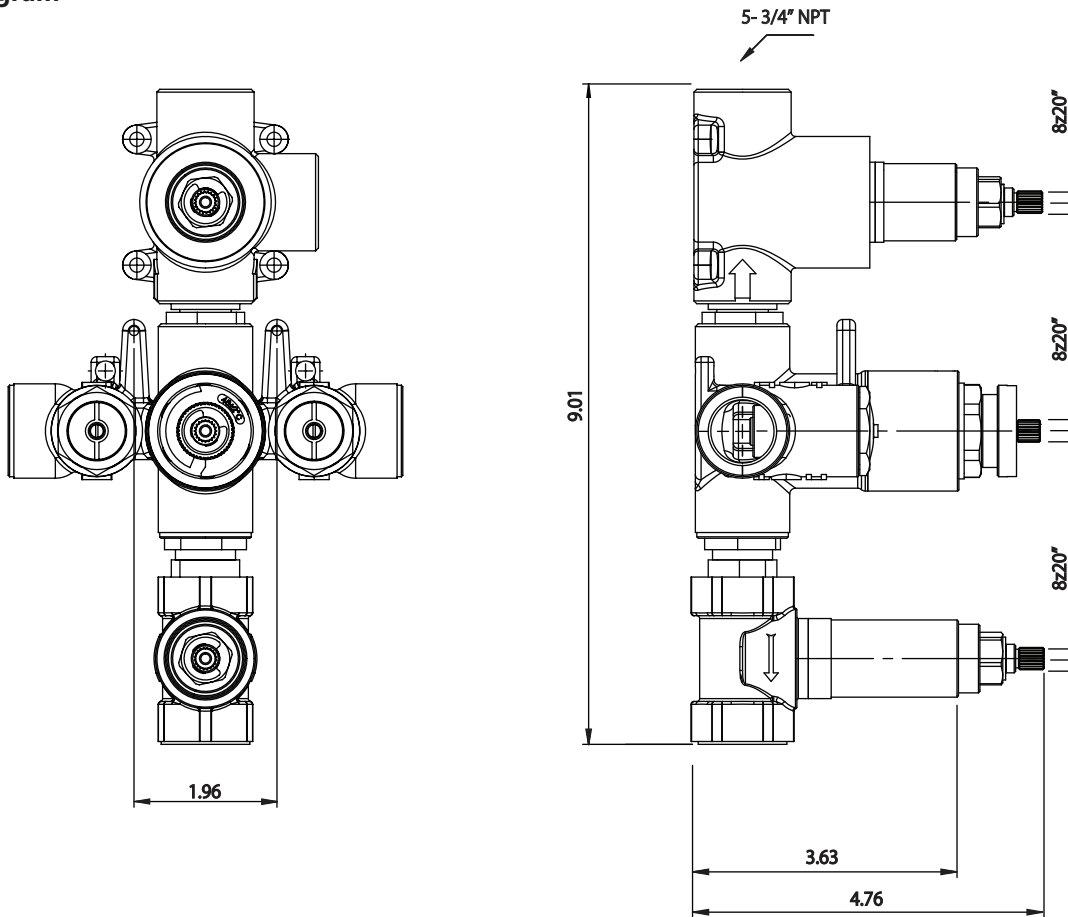
Legislation Compliance



ZeroDrip Technology



Technical Diagram



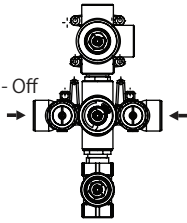
TVH.4501 | Three Output 3/4" Thermostatic Valve Page 2 of 2



Water Flow Diagram

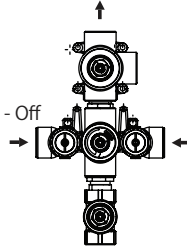
Top Diverter  
Position - Off

Bottom Volume  
Control Position - Off



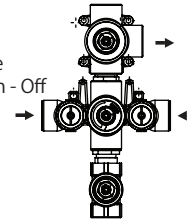
Top Diverter  
Position - 2

Bottom Volume  
Control Position - Off



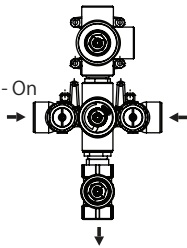
Top Diverter  
Position - 1

Bottom Volume  
Control Position - Off



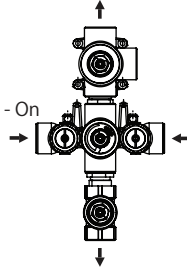
Top Diverter  
Position - Off

Bottom Volume  
Control Position - On



Top Diverter  
Position - 2

Bottom Volume  
Control Position - On



Top Diverter  
Position - 1

Bottom Volume  
Control Position - On

